

Nádoba, Série NL2-CLS

- Pro filtr - regulátor tlaku s filtrem

- Materiál Polykarbonát



Druh konstrukce

Provedení

Certifikáty

Provozní tlak min./max

Teplota okolí min./max.

Teplota média min./max.

Médium

Objem nádoby filtru

Hmotnost

Nádoba

Nádoba, polykarbonát, bez ochranného koše

Vhodný pro ATEX

2 ... 16 bar

-10 ... 50 °C

-10 ... 50 °C

Stlačený vzduch

25 cm³

0,115 kg

Technické údaje

Číslo materiálu	Vypouštění kondenzátu	Obr.
1827009335	Plně automatický, beztlakově otevřený	Fig. 3

Vhodné pro použití v zónách ohrožených výbuchem 1, 2, 21, 22.

Technické informace

Materiál	
Nádoba	Polykarbonát
Těsnění	Butadien-akrylonitrilový kaučuk

Rozmry

Fig. 3

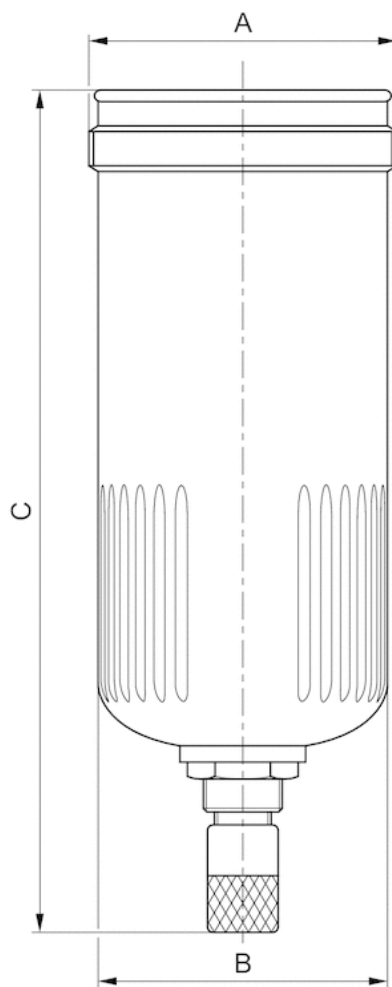


Fig. 1

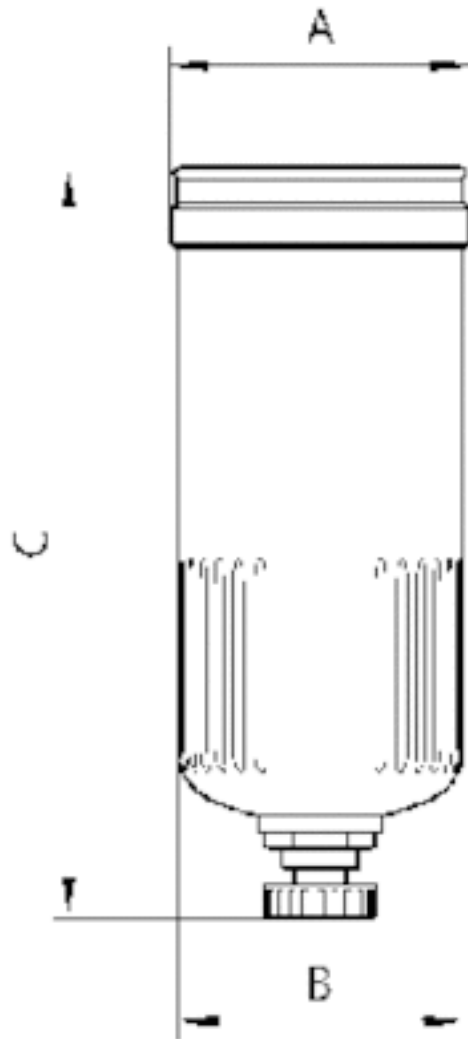


Fig. 2

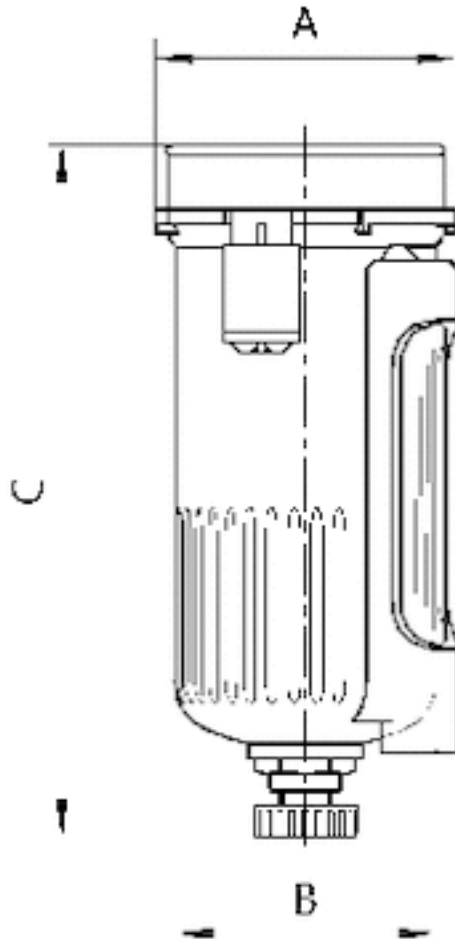
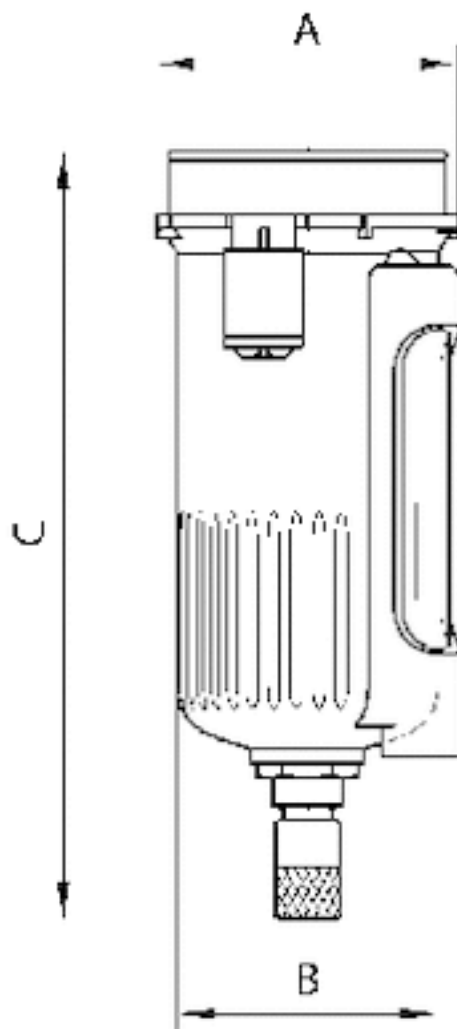


Fig. 4



Rozmry

Číslo materiálu	A	B	C
1827009335	M36x1,5	33.2	129

Efficient pneumatic solutions, our program: cylinders and drives, valves and valve systems, air supply management



Visit us: [Emerson.com/Aventics](https://www.emerson.com/Aventics)

Your local contact: [Emerson.com/contactus](https://www.emerson.com/contactus)



Emerson.com



[Facebook.com/EmersonAutomationSolutions](https://www.facebook.com/EmersonAutomationSolutions)



[LinkedIn.com/company/Emerson-Automation-Solutions](https://www.linkedin.com/company/Emerson-Automation-Solutions)



[Twitter.com/EMR_Automation](https://twitter.com/EMR_Automation)

An example configuration is depicted on the title page. The delivered product may thus vary from that in the illustration. Subject to change. This Document, as well as the data, specifications and other information set forth in it, are the exclusive property of AVENTICS GmbH. It may not be reproduced or given to third parties without its consent. Only use the AVENTICS products shown in industrial applications. Read the product documentation completely and carefully before using the product. Observe the applicable regulations and laws of the respective country. When integrating the product into applications, note the system manufacturer's specifications for safe use of the product. The data specified only serve to describe the product. No statements concerning a certain condition or suitability for a certain application can be derived from our information. The information given does not release the user from the obligation of own judgement and verification. It must be remembered that the products are subject to a natural process of wear and aging.

The Emerson logo is a trademark and service mark of Emerson Electric Co. Brand logotype are registered trademarks of one of the Emerson family of companies. All other marks are the property of their respective owners. © 2022 Emerson Electric Co. All rights reserved.
2022-01



CONSIDER IT SOLVED™